

Using Custom Reporting Tables to Facilitate Data Access

Presented by: Carmen Allen, Vyas Krishnamurthy, and Dr. Susan Moreno
University of Houston, Office of Institutional Research

SCHRUG Alliance 2017
Houston, Texas
July 24, 2017

Welcome to the Powerhouse.

UNIVERSITY of HOUSTON

Outline

- Introductions
- Transactional vs. Reporting Systems
- The Need for Reporting Tables
- Reporting Tables Schema
- Description of Tables
- How Reporting Tables are Used
- Training End Users

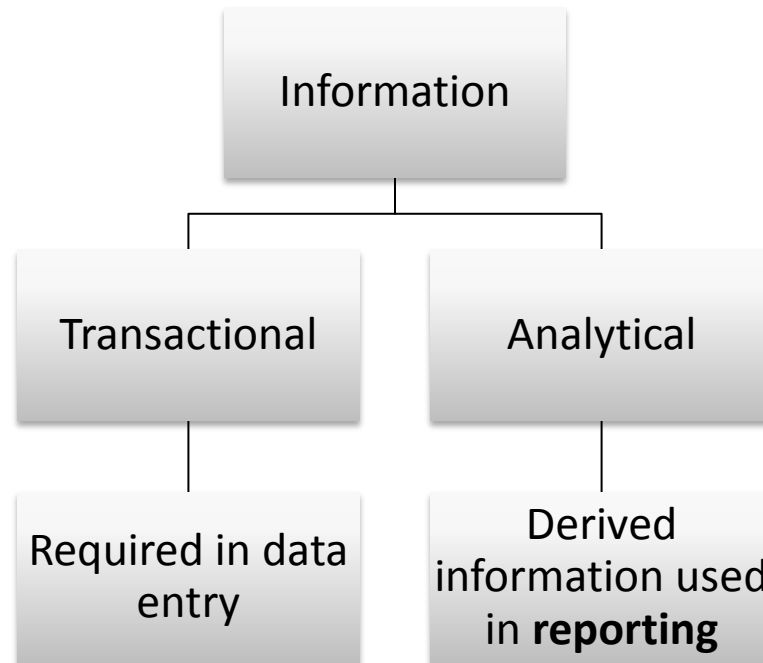
University of Houston

- 43,774 students
- 14 colleges
- 110 bachelors, 119 masters, 47 doctoral, and 3 professional programs
- 9,596 degrees awarded annually



Transactional vs. Reporting Systems

Transactional System	Reporting System
Designed to run your business	Designed to manage your business
Modeled for data entry	Modeled for data analysis and dissemination
Data is constantly changing	Data reflects snapshots/points in time



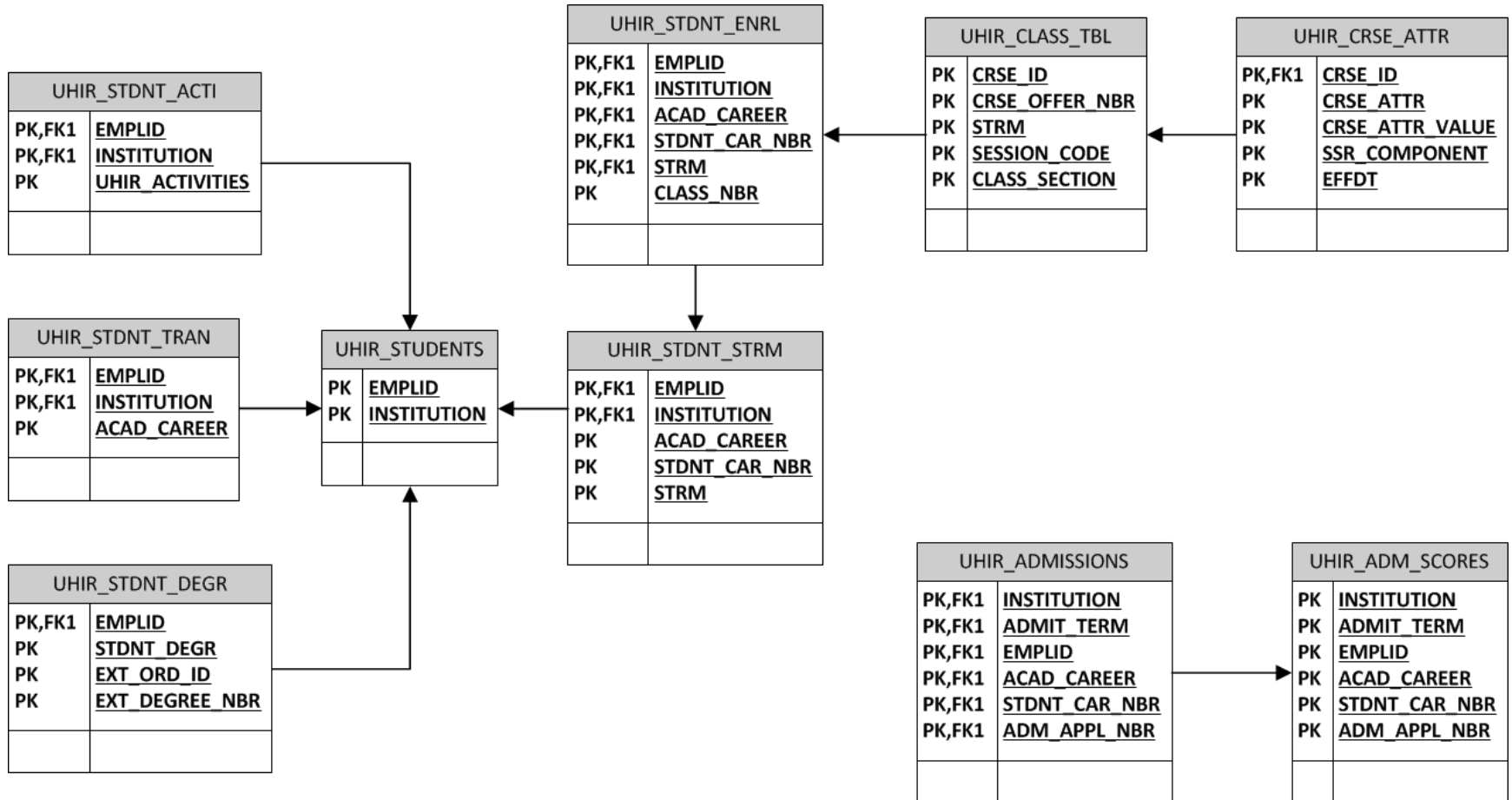
The Need for Reporting Tables

- Data access for reporting before PeopleSoft...
 - Data dump
 - No query ability
 - Little flexibility in terms of fields included
- Data access for reporting after PeopleSoft...
 - Opportunity to change how we make data available
 - Consolidate data from many tables into about a dozen tables
 - Facilitate data access/query development

Reporting Table Logistics

- Refreshed daily overnight
 - Recurring process in Process Scheduler
- Roughly three hours to load
- Tables truncated/reloaded for the term being processed
- Key fields aid in query building

Reporting Tables Schema



Tables & Descriptions

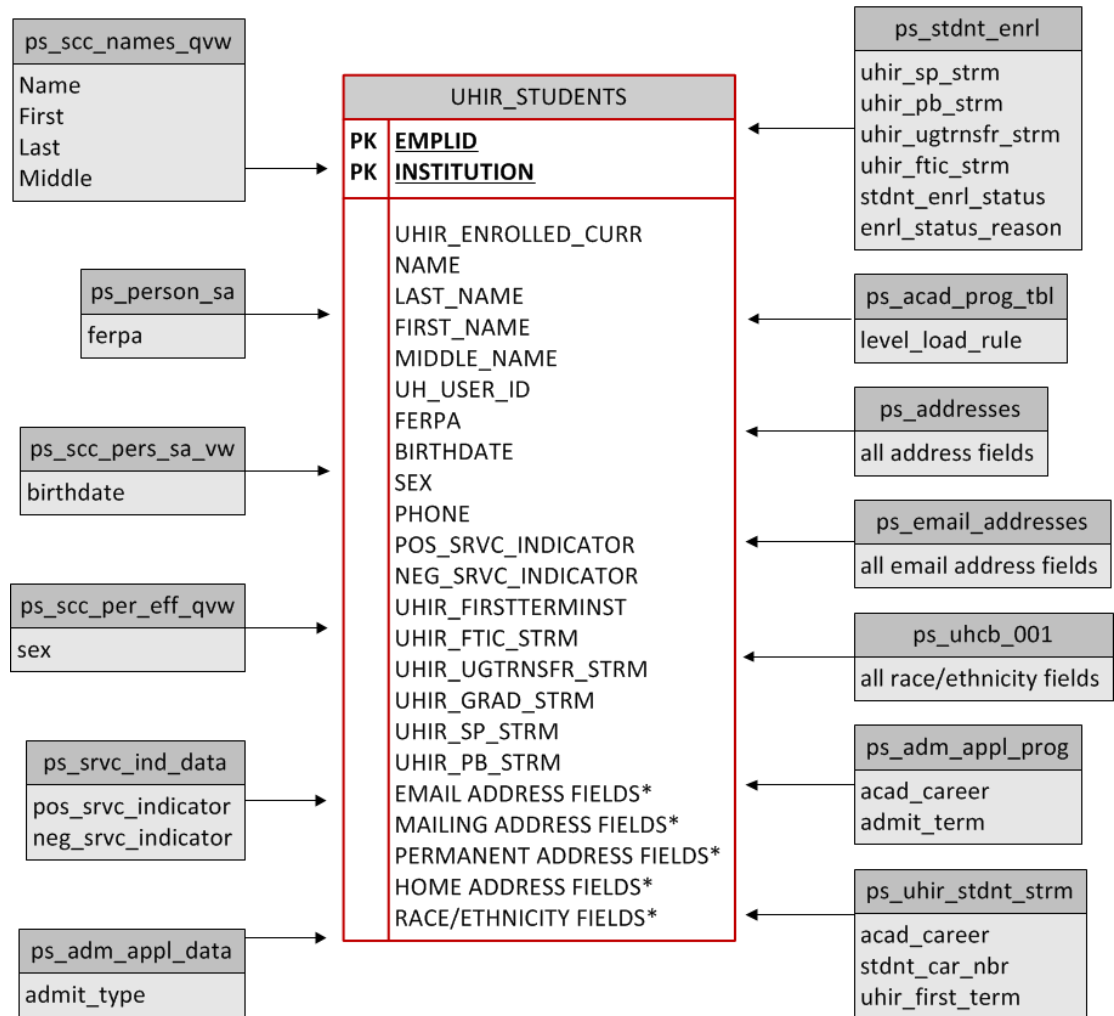
Table Name	Description
UHIR_STUDENTS	Current demographic information for students. One record per student, per institution.
UHIR_STDNT_STRM	Term-specific information for students that have been enrolled in at least one class for that term.
UHIR_STDNT_ENRL	Class enrollment data by term.
UHIR_STDNT_DEGR	Degree information.
UHIR_STDNT_TRAN	Transfer information.
UHIR_STDNT_ACTI	Combination of student attributes, extra-curricular, student activity and student group data.
UHIR_CLASS_TBL	Data related to classes offered.
UHIR_ADMISSIONS	Admission application data.
UHIR_ADM_SCORES	Admission test score information.

Tables & Descriptions (cont'd)

Table Name	Description
UHS_STDNT_LOC	Identifies the locations of all of the classes in which a student is enrolled.
UHM_ADM_FTICPOP	Key information about admitted FTICs and where they are in the onboarding process.
UHM_FTIC_COHDAT	Tracks members of FTIC cohorts as they progress through the university.
UHM_UGRD_COHORT	Identifies new undergraduate students each semester; includes FTIC/transfer and degree-seeking status.
UHIR_HOUSING	Student data from the housing system from application to booking.

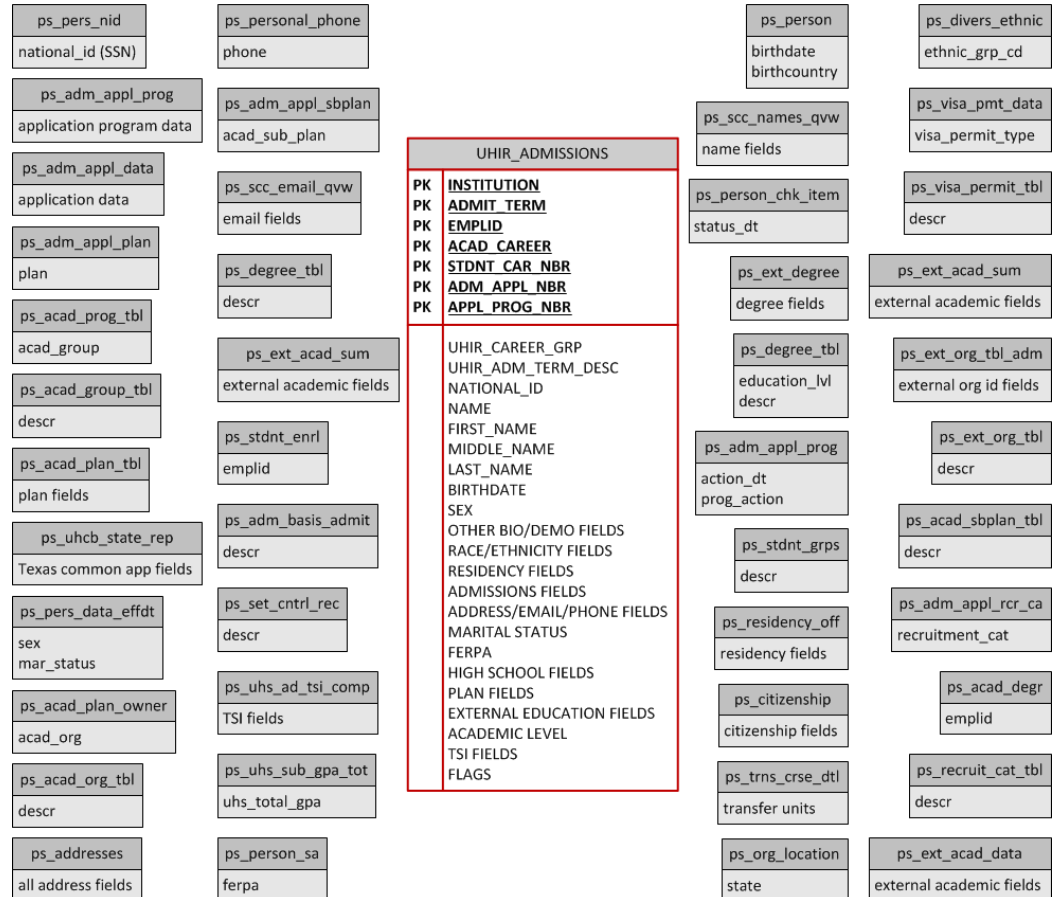
Source Tables for UHIR_STUDENTS

- Bio/demo data
- 13 source tables
- 61 fields
 - 49 fields pulled
 - 12 derived fields



Source Tables for UHIR_ADMISSIONS

- Application data
- 45 source tables
- 197 fields
 - 179 fields pulled
 - 18 derived fields



Queries Using Reporting Tables

Query Name	Description	Tables Used
UHM_IR_MAJORS_ROSTER	Pulls student information by major by department; also have versions to pull by college, student attribute, etc.	UHIR_STUDENTS UHIR_STDNT_STRM
UHIR_TRACK_FTIC_COHORTS	Tracks initial/current plan for FTIC cohort members; prompts for initial college.	UHCB_001 ACAD_PLAN_TBL ACAD_PROG_TBL ACAD_PLAN_OWNER ACAD_ORG_TBL_VW ACAD_GROUP_TBL UHIR_STDNT_STRM UHIR_STUDENTS
UHM_IR_NO_CLS_TM_BLD_SEM	Uses the CB4 class list criteria as much as possible to provide a list of classes that do not have scheduled class times or building information.	UHIR_CLASS_TBL

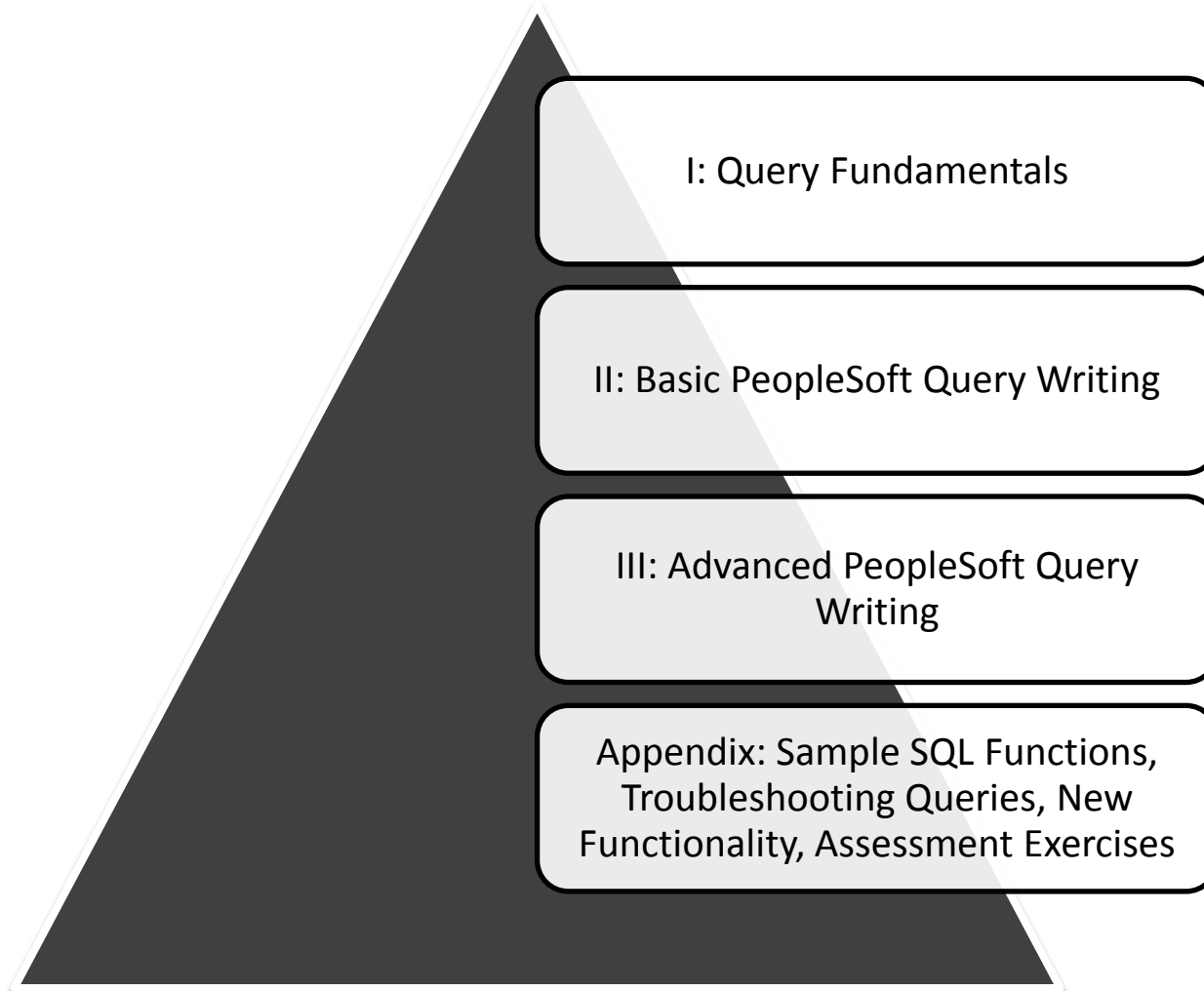
Other Ways Reporting Tables are Used

- Institutional Research
 - Survey Reporting
 - Ad Hoc Requests
 - GPA information
 - Who's been admitted
- Admissions
 - Daily tracking reports

Training End Users

- Query Training
 - Fifteen hours
 - 5 consecutive days, 3 hours per day
- Participants
 - Users wanting access to be able to write queries in the PeopleSoft student module
- Frequency
 - 3 times a year (spring, summer, fall)
- Uses non-production database
- Partner with Campus Solutions Services

Query Training Outline



Query Training Topics

- Overview of Tables
 - UHIR Reporting Tables
 - Coordinating Board (CB) Report Tables
- Query Writing
 - Effective Date Logic
 - Query Methodology
 - Joins/Functions/Expressions
- Assessment Exercises

Query Training Assessment

- Background
 - Goal: grant access to query production data
 - Needed to ensure that users understood how to accurately query data
- Format
 - 2 exercises; 1 beginner, 1 advanced
- Grading
 - Correct tables/fields
 - Joins
 - Output formatting
 - Expressions, functions, aggregation, etc.

Example Assessment Exercise

Provide a list that displays the EMPLID and CUM_GPA for all students enrolled at the end of the term during Fall 2009 at UH if the student had a cumulative GPA of at least 3.0. If the student belonged to the Honors (R003) activity type, provide that additional information in a column (UHIR_ACTIVITY_TYPE). Also add a calculated column that combines the student's current Academic Standing code with their primary plan (with a dash in between), i.e. 'E-TELSBS'; the title of the column should be "Standing and Plan". The institution should be a run-time variable that defaults to value '00730', having a lookup against master table 'INSTITUTION_TBL' and having custom heading text that says "Enter the institution". Sort the data by activity type, then by student ID.

Tip: You should receive 18,144 rows of data.



Thank you!!

Carmen Allen

ceallen74@uh.edu

Vyas Krishnamurthy

vkrishnamurthy@uh.edu

Dr. Susan Moreno

semoreno@uh.edu